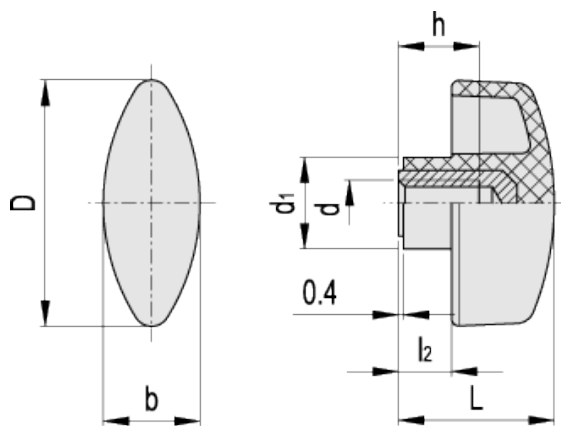


# CTL.476

## Wing knobs



ELESA Original design



Elesa Standards		Main dimensions					Mounting hole		Weight
Code	Description	D	L	b	d <sub>1</sub>	l <sub>2</sub>	d <sub>6H</sub>	h	g
8711	CTL.476/30 B-M6	32	20	13	11	5.5	M6	10	8
8741	CTL.476/40 B-M8	40	24.5	15.5	14	7.5	M8	15	11
8771	CTL.476/48 B-M8	48	28	19	17	9	M8	20	17
8801	CTL.476/56 B-M10	56	34	21	18.5	11	M10	13	21

### Material

Glass-fibre reinforced polyamide based (PA) technopolymer. Resistant to solvents, oils, greases and other chemical agents.

### Colour

Black, matte finish.

### Standard execution

Brass boss, threaded blind hole.

### Features and applications

These wing knobs allow high tightening torque values. Moreover, the elongated hub makes the grip easier.



STANDARD MACHINE ELEMENTS WORLDWIDE

ELESA models all rights reserved in accordance with the law. Always mention the source when reproducing our drawings.